

PFISTER® Smart Aeration for DRW rotor weighfeeders

Fixed aeration intervals don't account for the changing flow behavior seen in the prehopper and silo bottom. You can end up using too much air and wasting money – or not enough, and losing productivity.

Smart Aeration is an intelligent solution that adapts to changing flow requirements, reactively increasing or decreasing the pause duration in the cycle to provide optimum aeration and minimal costs.

Benefits

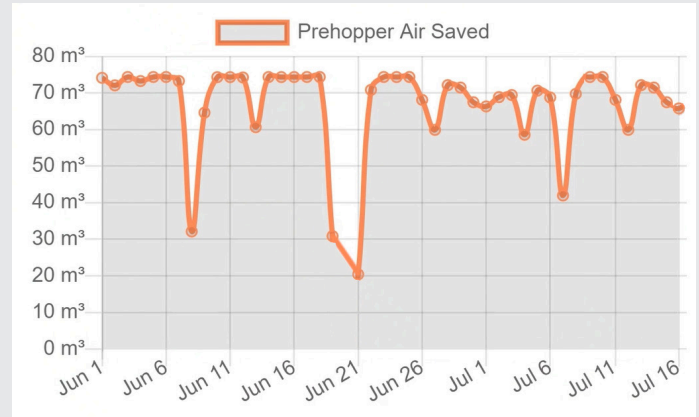
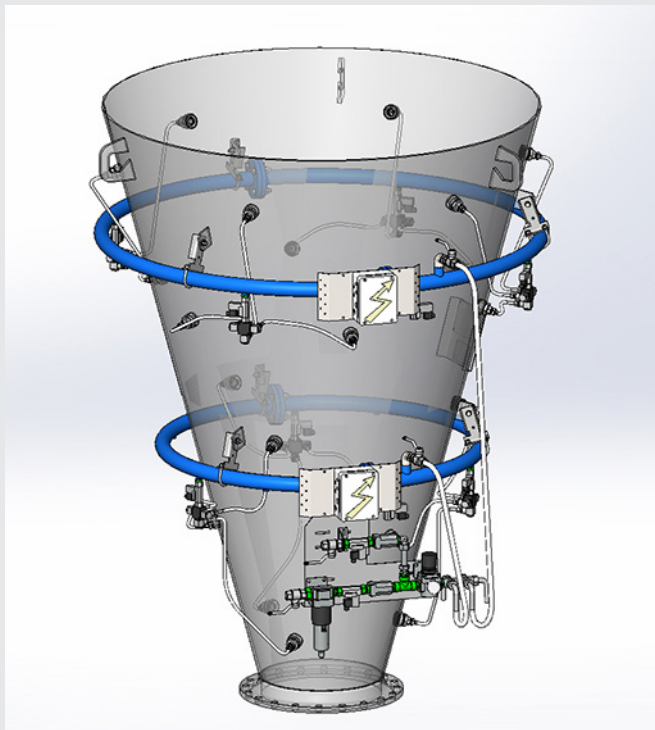
- Smoother, more reliable material flow
- Lower maintenance and operational costs
- Reduced risk of spontaneous combustion of materials
- Up to 90% less air consumption and related cost benefits
- Increased lifetime of sinter plates at the prehopper and silo

Save up to 90% aeration air

A fixed interval aeration system typically consists of a 3-second pulse followed by a pause of 9 seconds for prehoppers or 12 seconds for silos. This doesn't enable the air input to adjust in response to actual flow conditions.

The Smart Aeration system is different. It monitors the flow rate and reacts to it, adjusting the duration of the pause by +/- 10 seconds to optimise aeration and reduce costs. When the highest level of aeration is required, the series will be a 4-second pulse followed by a 10-second pause. The lowest level of aeration will be a 3-second pulse followed by a 120-second pause. Whatever the required aeration level, the input of air will never be higher than with the old system of fixed intervals.

This reduction in compressed air usage can save you significant sums. So that you can see just how much money you're saving, information about air usage is captured and displayed in a graph.



Summarized air volume can be seen in the web browser overview (m³ per day)

Free 3-month trial of Smart Aeration

Two ways to get started:

1. Contact us for your free trial PIN, then enter trial PIN yourself in the parameter setting.
2. Or during a scheduled maintenance visit our technician will implement the free trial.

For either option, please contact us:
service@flsmidthpfister.com

Contact us



flsmidth.eco/contact

